

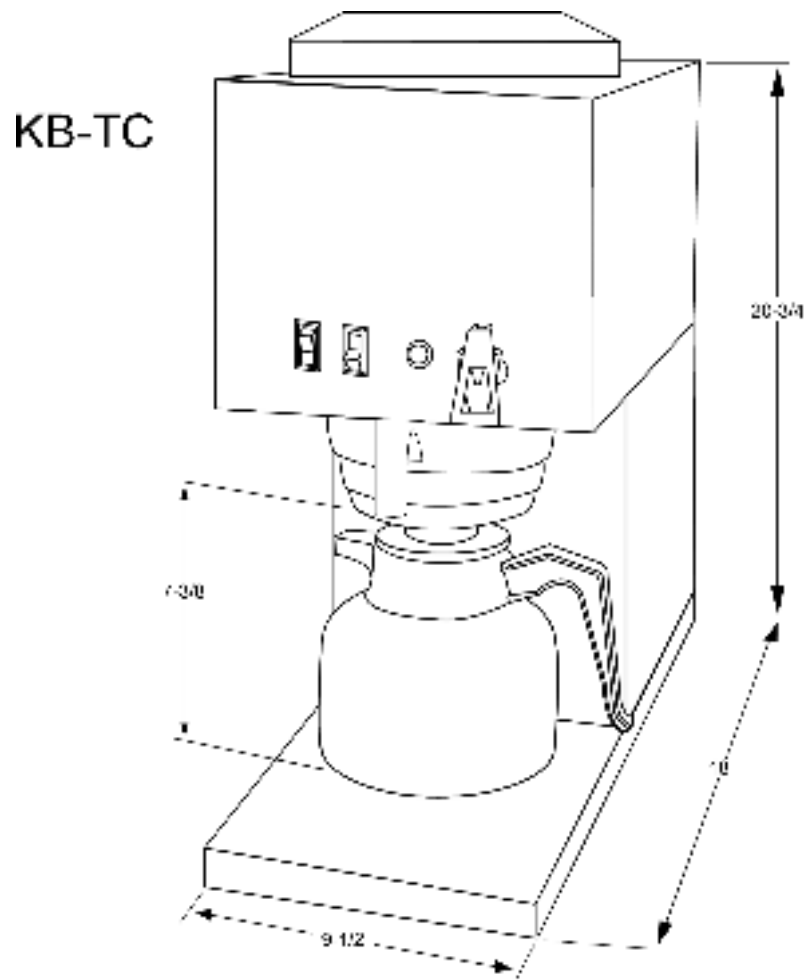


The KB series combines all the benefits of great tasting bottled water with a portable automatic coffee brewing station. Recognizing that a cup of coffee is 99% water, it only makes sense to have greater control of the overall recipe to ensure great tasting coffee. The KB models incorporate features such as: a gravity fed hot water faucet, a ready light, accepts 2 - 6 gallon plastic bottles, and offers all the benefits of a automatic brewer without plumbing. Enjoy freshly brewed coffee made from great tasting bottled water with every brew.

Features

- Durable Stainless Steel Construction.
- Ready light alerts user to optimum brew temperature.
- Offers all the benefits of an automatic brewer without the plumbing.
- Convenient hot water faucet for hot tea, coco and soups.
- Private Labeling available.
- Gourmet spray head designed for maximum coffee extraction.
- Brews into 1.9 server.
- Made in the USA.





Additional Information

Model	Width	Depth	Height	Amps	Volts	Watts
KBTC	9 1/2"	18"	20 3/4"	USA / CAN 13.5A / 10.8A	120V	USA / CAN 1400 / 1100