

A few simple steps to ensure
perfect water, every time.



Use and Care Guide

MODELS: A9CTELECTRICSS • A9ELECTRICBLK • A9ELECTRICWHT

Registration

Please visit the website below to register your new water cooler within the first 30 days of purchase. Registration within the first 30 days will activate your one year warranty.

www.avalonh2o.com/register-my-avalon-cooler

Please keep your model number, order number and purchase date for future support. You can reach us at 1-800-256-0695.

Model Number _____

Order Number _____

Purchase Date _____



This product conforms to NSF/ANSI 42 and 53 for the reduction of Chlorine taste and odor, nominal particulate class I, lead and cysts.

Contents

About Your Water Cooler

Meet Your Avalon Product	1-2
Part Names	3-4
Control Panel	5-6
Tech Specs	7
Working Principle	8
Filter Function Introduction	9

Getting Started

Unpacking	11
Installation (Under the Sink)	12-13
Installation (Refrigerator Water Line)	14
Flushing Filters	15-16
Finishing Water Cooler Installation	17-20
Installing and Removing the Drip Tray	21

User Guide and Maintenance

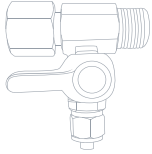
Replacing the Filters	23-25
Leak Detection	26

Troubleshooting

Safety

Meet Your Avalon Product

Inside the box, you'll find:



Metal Adapter with Valve



Valve and Tube Assembly



Filter Flushing Adapter



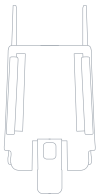
Carbon Block Filter



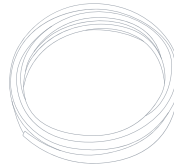
Sediment Filter with Filter Adapter



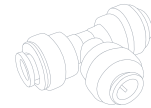
Small PE Tubing



Mounting Bracket



PE Tubing (20')



Three Way Plastic Adapter

Meet Your Avalon Product



Attractive Design

Modern countertop design with electric touch controls



Custom Temperature

Piping hot, room temperature, or crisp cold water



Perfect Pour

Quantitative water volume options



Dual Stage Filtration

Double the filtration for twice the peace of mind



Worry-Free Cleaning

Self-cleaning UV function for longer lasting water purification



NSF Certified Filters

We meet strict standards for public health protection



UL Listed

We design & manufacture with your safety in mind



Energy Star Approved

Saves the environment & your wallet



Child Safety Feature

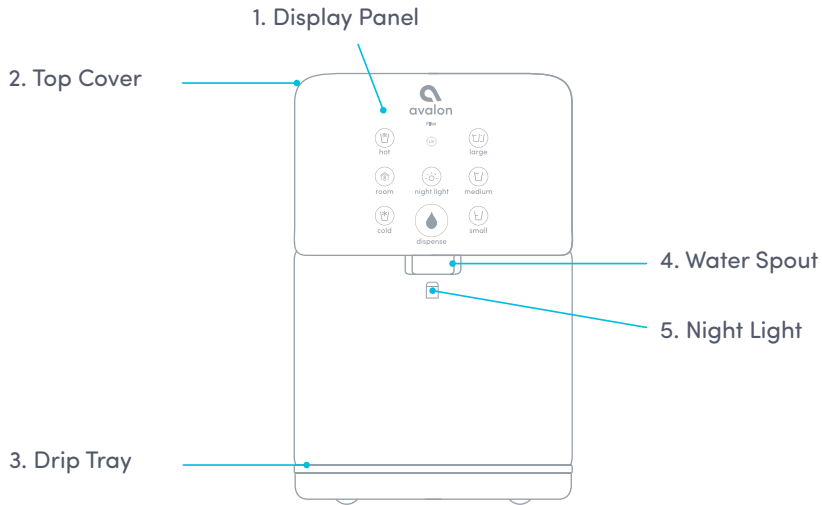
Ensures safe hot water flow for the entire family



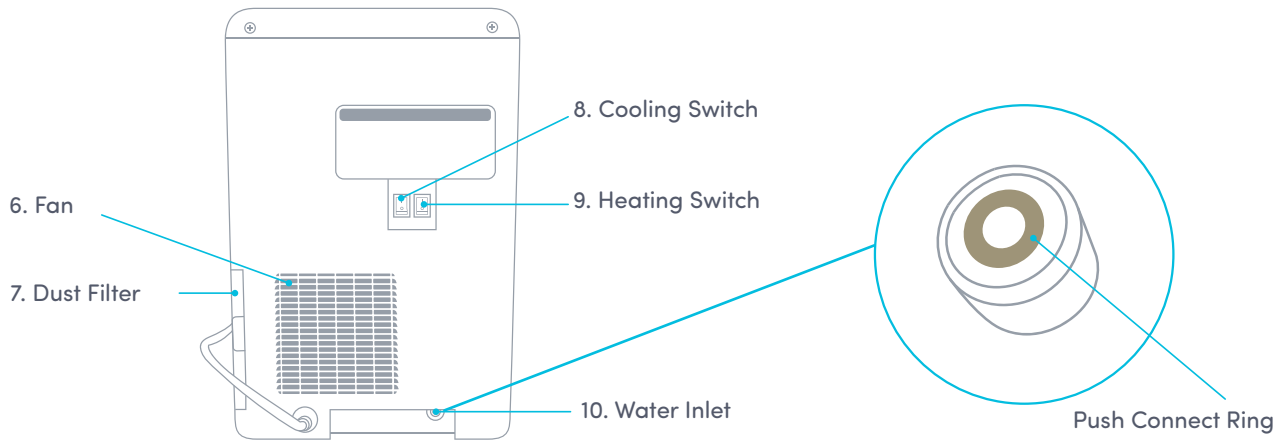
Built-in Nightlight

Makes late night water trips a breeze

Part Names

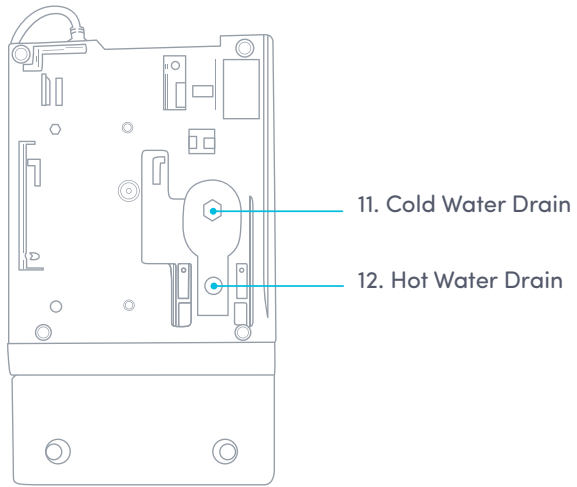


Front

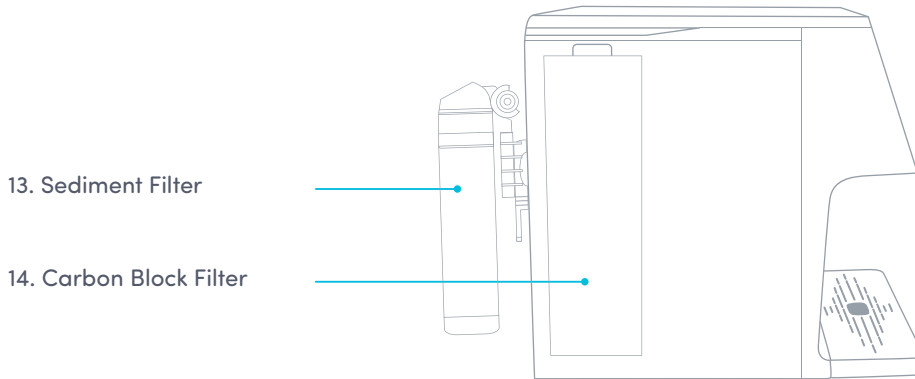


Back

Part Names



Bottom



Left

Control Panel

After powering on, the default temperature will be room temperature and that icon will light up. After 5 seconds of no use, the temperature will go back to room temperature.

Hot Water Button



Touch to illuminate, then touch and hold the dispense button for a continuous flow of water. When dispensing hot water, the automatic continuous flow and cup sizes are disabled for safety purposes. You will need to keep your finger on the dispense button until you want the flow to stop.

Room Temperature Water Button



Touch to illuminate, then touch the dispense button for a continuous flow of water.

Cold Water Button



Touch to illuminate, then touch the dispense button for a continuous flow of water.

Replace Filter Indicator

Filter

When the filters are active, the indicator will be lit up. Once the filters are near their expiration, the indicator will flash. When the filters' lifetime are up, the filter indicator will continue to blink and the machine will beep to let you know that the filters need to be changed.

Control Panel



UV Indicator

This light is on when dispensing cold or room temperature water for added purification.



Dispense Button

Touch this button to dispense water. Press again to stop dispensing.

This button will continuously dispense water unless a cup size is chosen.



Nightlight Button

Touch this button and the icon and light in the dispensing area will light up.

After selecting your temperature, select your desired water volume option.



Large Water Output Button

Select this button to have the machine dispense a large cup of water, approx. 10 oz, then touch the dispense button.



Medium Water Output Button

Select this button to have the machine dispense a medium cup of water, approx. 8 oz, then touch the dispense button.



Small Water Output Button

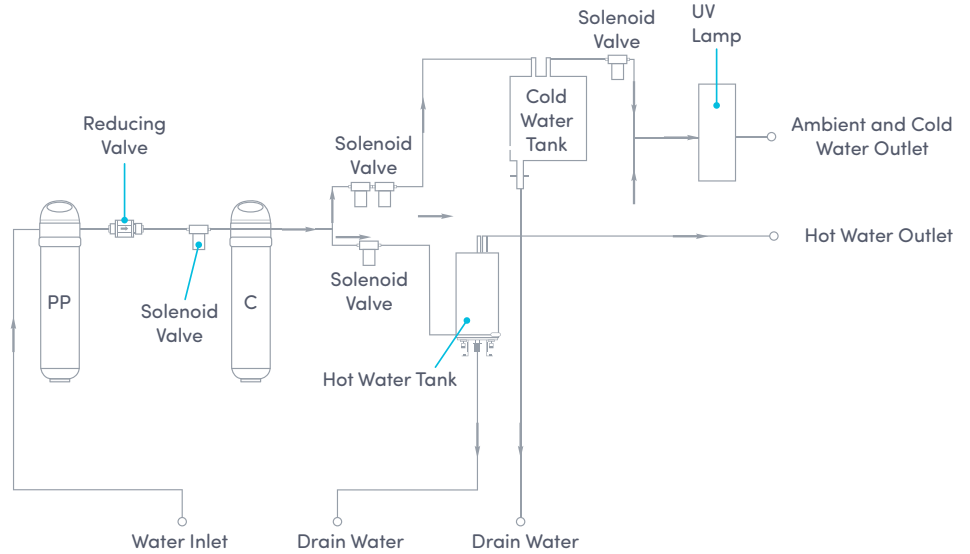
Select this button to select to have the machine dispense a small cup of water, approx. 6 oz, then touch the dispense button.

Tech Specs

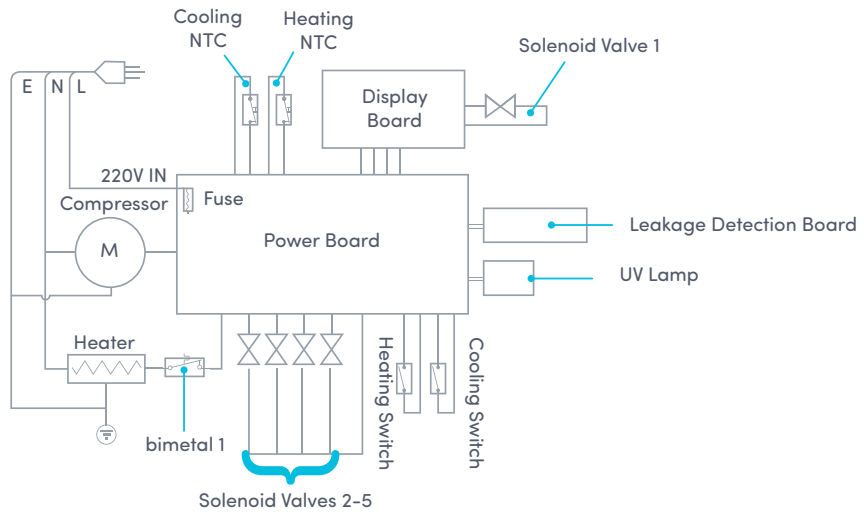
Model	A9CTELECTRICSS, A9ELECTRICBLK, A9ELECTRICWHT
Hot/Cold/Room Temp Output	1.2L/min / 1.2L/min / 1.2 L/min
Hot Water Capacity	4 L/H (≥ 185°F)
Hot Tank Volume	0.8 Liters
Cold Water Capacity	3 L/H (≤ 185°F)
Cold Tank Volume	1.2 Liters
Applicable Water Pressure	0.1-0.4 MPa
Applicable Water	Tap Water
Stage 1 Filtration	Sediment Filter
Stage 2 Filtration	Carbon Block Filter
Product Size	16"(L)x10"(W)x15.75"(H)
Packing Size	21.5"(L)x15"(W)x21"(H)
Net Weight/Gross Weight	30.85 lb / 33 lb
Voltage/Frequency	115 V 60Hz
Cooling Method	Compressor
Heating Method	Internal Element
Heating Watts / Cooling Watts	420W / 100W
Power Consumption	555 W

Working Principle

Flowchart of water generation:



Circuit Diagram:



Filter Function Introduction

Stage	Filter	Function
Stage 1	Sediment Filter	Course filtration of raw water to remove rust, dirt and sediment
Stage 2	Carbon Block Filter	Removes the water odor, residual chlorine, organic matter, and lead to improve taste

Getting Started

Unpacking Your Avalon Water Cooler

Locating Dispenser

- Do NOT plug in the power cord yet.
- Place dispenser upright on a hard and level surface in a cool and shaded location near a grounded wall outlet. Position the dispenser so there is about 4 inches of clearance from the wall on the back and both sides.

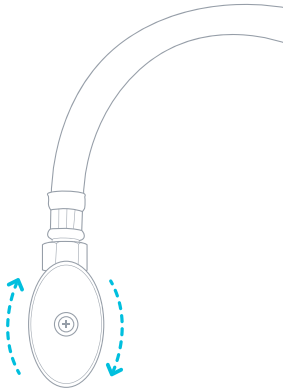
Locating Accessories

- Open the top of the packaging and remove the top foam piece along with accessories and place them aside. (The filter will be located in this foam piece located on the top of the cooler.)
- Unpack the product and install the drip tray by inserting it into place, see page 21.

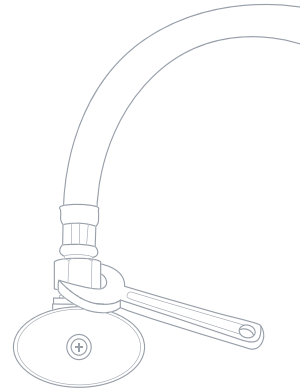
Installation (Under the Sink)

Installing the Metal Adapter with Valve

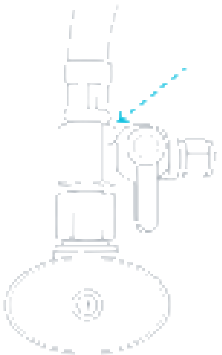
1. Turn off the current cold water supply that is the source of water to your sink.



2. Disconnect the current cold water supply line under your sink.



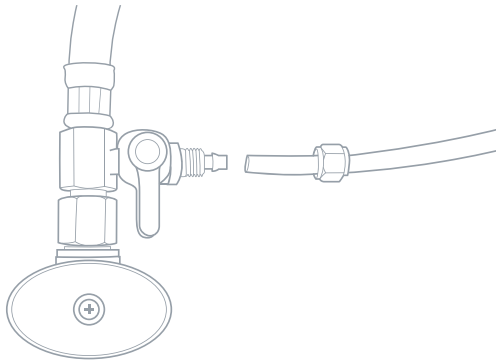
3. Connect the Metal Adapter with Valve between the cold water supply line and cold water valve.



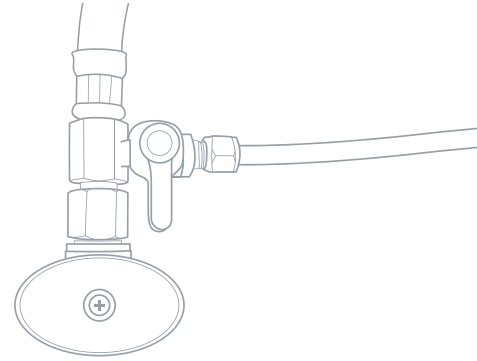
Installation (Under the Sink)

Installing the Metal Adapter with Valve

4. Remove the nut from the Metal Adapter and insert the PE Tubing through the nut. Slide the PE Tubing onto the protruding part of the Adapter where the nut was located until it reaches the threading.



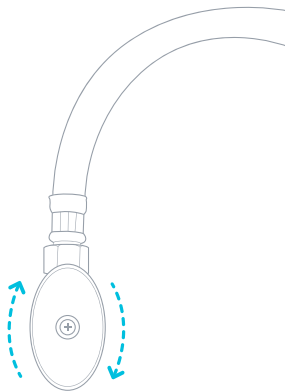
5. Screw the nut tightly into place to keep the PE Tubing securely connected to the Metal Adapter with Valve. Make sure the Valve is in the off position (perpendicular to the PE Tubing).



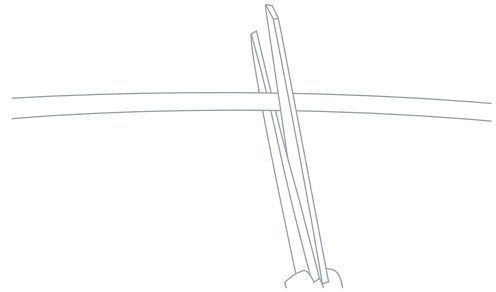
Installation (Refrigerator Water Line)

Installing the Three Way Plastic Adapter

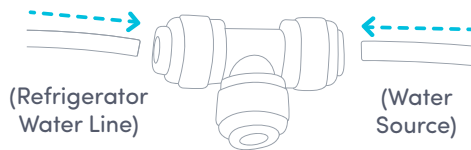
1. Turn off the current cold water supply that is the source of water to your refrigerator line.



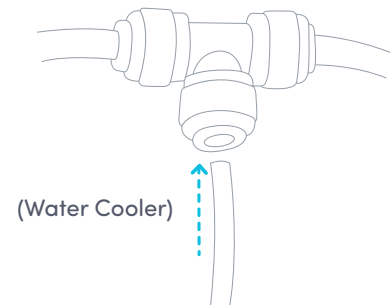
2. Cut the current 1/4" tubing that is connected to the back of your refrigerator or ice maker near the end of it that is currently inserted into the refrigerator.



3. Insert each cut end of the existing 1/4" tubing into one of the holes of the Three Way Plastic Adapter.



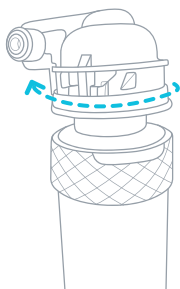
4. Insert one end of the PE Tubing that is supplied with the water cooler into the third opening of the Three Way Plastic Adapter.



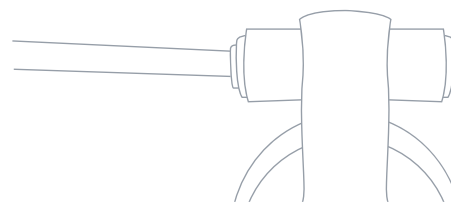
Flushing Filters Prior to Use

Before continuing with installation, it is recommended that you flush both filters for approximately 2 minutes.

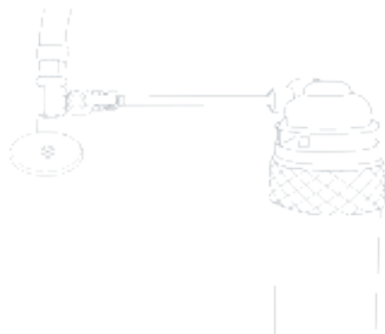
1. Disconnect the Sediment Filter from its Adapter by rotating it counter clockwise and twist the filter into the provided Filter Flushing Adapter by rotating it clockwise.



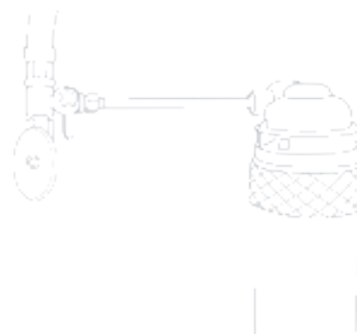
2. Take the open end of the PE Tubing that is now connected to your water supply and insert it into the left inlet hole on the Filter Flushing Adapter in the direction of the arrow.



3. Hold the filter with the Filter Flushing Adapter in place over a sink. Turn the Valve of the Metal Adapter at the water source to the on position (the on position is parallel to the Tubing) and allow the water to flow through the adapter and the filter for approximately 2 minutes to flush the new filter.

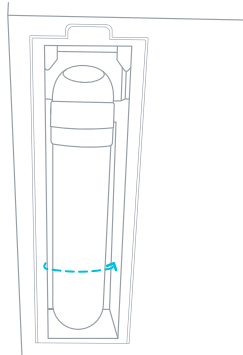


4. Turn the Valve of the Metal Adapter at the water source back to the off position, remove the filter from the Filter Flushing Adapter.

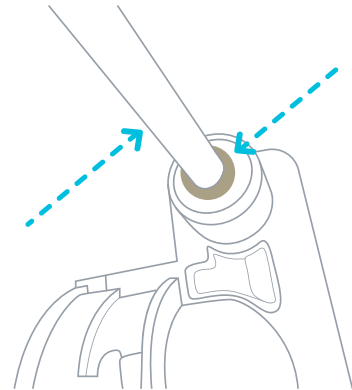


Flushing Filters Prior to Use

5. Remove the Carbon Block Filter from the side cabinet by rotating it counter clockwise and follow the same steps. Once complete you can put the Carbon Block Filter back into the side cabinet.



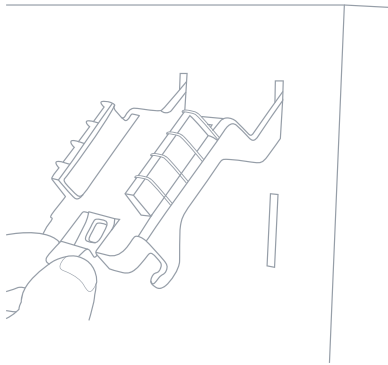
6. Remove the end of the PE Tubing from the Filter Flushing Adapter by pressing in on the push connect ring and pulling out the PE Tubing.



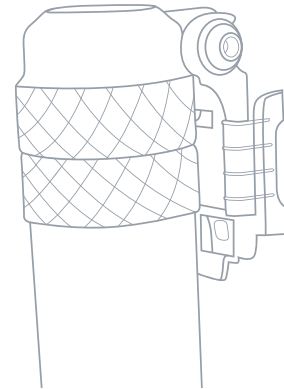
Finishing the Water Cooler Installation

Once you have flushed the filters and removed the filters and PE Tubing from the Filter Flushing Adaptor, you are ready to complete the installation process.

1. Clip the black Mounting Bracket onto the top of the back of the unit by inserting the longer pegs upward into the 2 slots, and then click the shorter pegs into place in the slots.

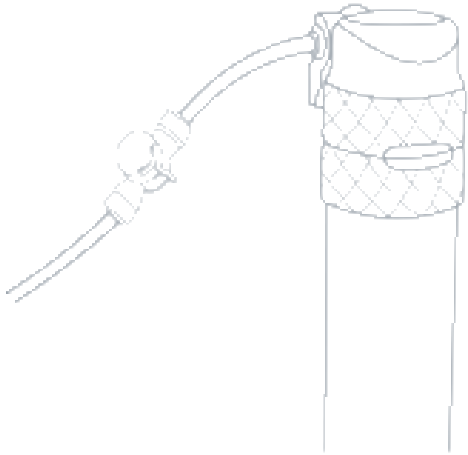


2. Twist the Sediment Filter into the Filter Adapter by rotating it clockwise. Slide the Filter Adapter down on the Mounting Bracket.

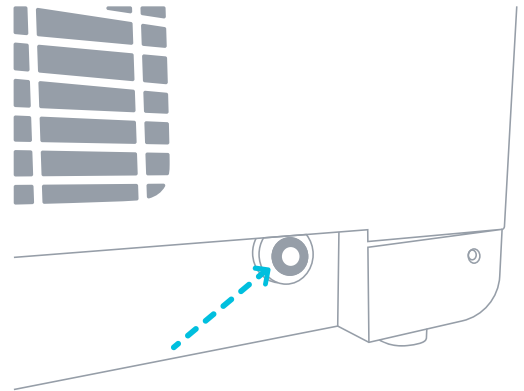


Finishing the Water Cooler Installation

3. Locate the Valve and Tube Assembly. Connect the tube end of this assembly to the left insert on the Filter Adapter. Connect the longer PE Tubing, that is connected to the water source, to the valve end of this assembly.

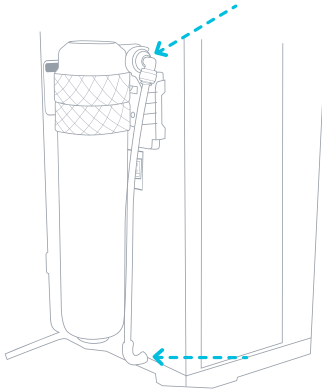


4. Remove the plug from the water inlet (#10) located on the back of the unit. To do this press on the push connect ring that is behind the plug.

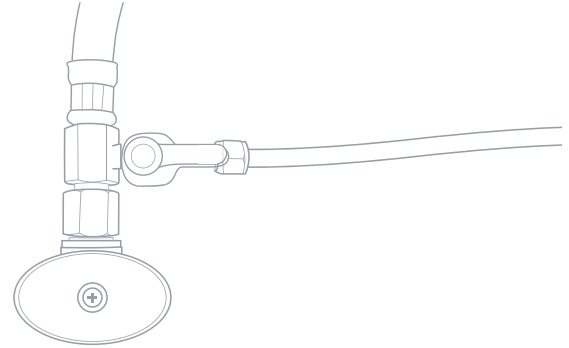


Finishing the Water Cooler Installation

5. Push one end of the small PE Tubing into the water inlet (#10). Push the other end of the Small PE Tubing into the right insert on the Filter Adapter. Make sure the small PE Tubing is tight and secure.



6. Turn the Valve for the water source back on (the on position is parallel to the PE Tubing).



7. Turn on the Valve that is located to the left of the filter (the on position is parallel to the PE Tubing).

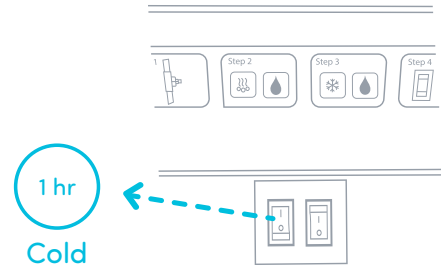
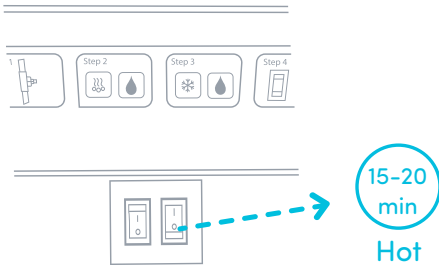


Finishing the Water Cooler Installation

Be sure to dispense a little water from both the hot and cold buttons prior to flipping on the heating (#9) and cooling (#8) switches located on the back of the machine.

8. Once the heating switch (#9) is turned on (I), it will take 15-20 minutes for the water to reach it's desired hot temperature.

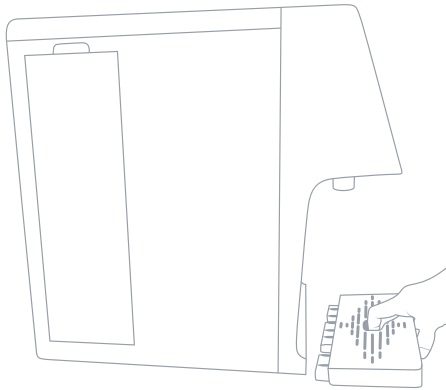
9. Once the cooling switch (#8) is turned on (I), it will take up to 1 hour to reach the desired cold temperature.



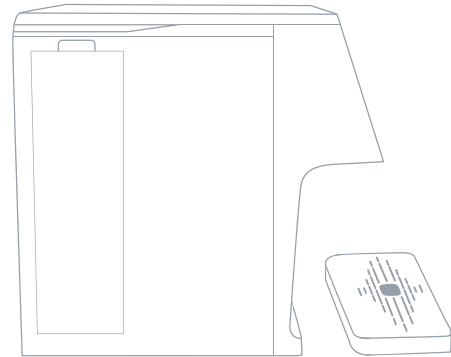
Installing and Removing the Drip Tray

No external drain needed, the overflow will collect here. The red float will rise to indicate when the drip tray needs to be emptied.

1. To install the drip tray, simply slide it into the area below the spouts until it snaps into place.



2. To remove the drip tray, place your fingers in the grid of the drip tray and with one hand gently pull the drip tray toward you to release it. Once it has been released you can remove the drip tray from the cooler to empty it.



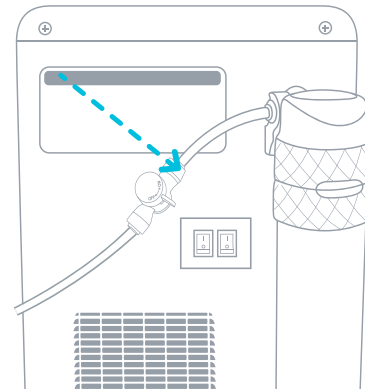
User Guide and Maintenance

Replacing the Filters

1. When lifetime of the filter is near its end, either by means of water flow or after 6 months time, the filter indicator will blink as a warning. When the filter lifetime is up, the filter indicator will continue to blink and the machine will beep to let you know that the filter needs to be changed.

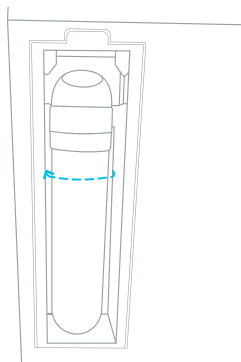


2. Shut off the Valve located at the connection to the water source or the Valve located to the left of the Sediment Filter on the back of the unit.

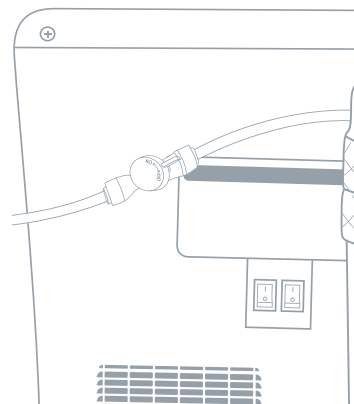


Replacing the Filters

3. Twist the expired filters to remove them from the Filter Adapter at the back of the unit and inside the side cabinet. Insert the new filters into the Filter Adapters by twisting them into place and rotating them clockwise. Make sure the Sediment Filter is on the back of the unit, and the Carbon Block Filter is in the side cabinet.

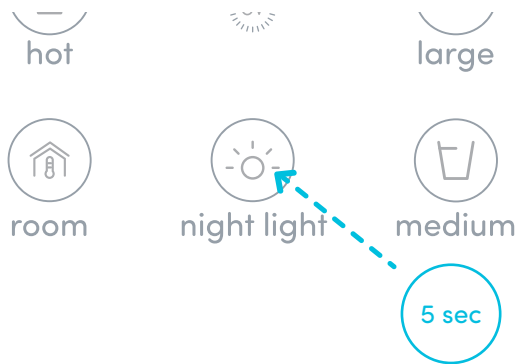


4. Turn on the Valve that was previously shut off. This Valve will be located at the connection to the water source or located to the left of the Sediment Filter on the back of the unit.

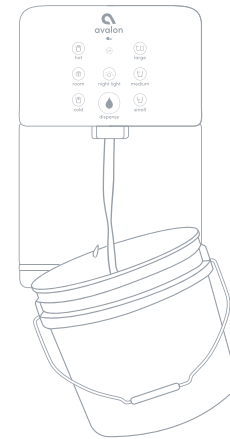


Replacing the Filters

5. After replacing the filters, press and hold the nightlight button for 5 seconds. Press and hold this button until the filter indicator stops blinking.



6. In order to flush the new filters, allow the water to flow from the water spout (#4) for approximately 2 minutes.



Leak Detection



Our machines are equipped with a high-tech leak detector that will alert you of any potential leak. At the same time the machine will automatically shut off any intake of water to prevent a potential flood. In the event of a possible leak, the dispense button on the front panel will blink while the machine makes a beeping sound. Please check around the machine for any leaking water and determine the source of it. If you find the source of the leak, you can call our support line for assistance in fixing it. If you do not find the source of this leak, it may have been caused by accidental spillage of water or from a filter change. The leak detector is inside the machine and will need to be left to dry by itself once any excess water is removed.

Troubleshooting

Troubleshooting

If you are having trouble with your water cooler please see the following solutions. You can also view our trouble shooting videos at the website below. Please feel free to contact us with any questions.



1-800-256-0695



support@avalonh2o.com



www.avalonh2o.com

Troubleshooting

Dispense button is flashing and unit is beeping

If the dispense button is flashing and the unit is making a slight beeping sound, it is alerting you that there may be a leak in the unit. Please refer to page 26.

Water leaking from unit

- Check to make sure that pipes are connected properly.
- Inspect the adapter to ensure that it is connected properly.
- Water pipe may need to be replaced.

Water not dispensing at a hot or cold temperature

This could be caused by an over consumption of water in a short period of time causing the tanks to empty. Please allow 5 to 10 minutes for the water cooler tanks to refill. Allow the proper time for the water to heat and cool.

This could be caused by an interruption in the power supply. Please ensure that the power cord is connected to an outlet. Please make sure that the heating (#9) and cooling (#8) switches are in the on (I) position.

Safety

Safety

To reduce risk of injury and property damage, user must read this entire guide before assembling, installing and operating the dispenser.

Failure to execute the instructions in this manual can cause personal injury or property damage.

This product dispenses water at very high temperatures. Failure to use this properly can cause personal injury.

When operating this dispenser, always exercise basic safety precautions, including the following:

- Prior to use, this dispenser must be properly assembled and installed in accordance with this manual.
- This dispenser is intended for water dispensing only. Do NOT use other liquids. Do NOT use for other purposes. Never use any other liquid in the dispenser other than known microbiologically safe tap water.
- For indoor use only. Keep water dispenser in a dry place away from direct sunlight. Do NOT use outdoors.
- Install and use only on a hard, flat and level surface.
- Do NOT place dispenser in an enclosed space or cabinet.
- Do NOT operate the dispenser in the presence of explosive fumes.
- Position back of dispenser no closer than 20 cm from wall and permit free airflow between wall and dispenser. There must be at least 20 cm clearance on the sides of the dispenser to permit airflow.
- Use only properly grounded outlets.
- Do not use an extension cord with your water dispenser.
- Always grasp plug and pull straight out from outlet. Never unplug by pulling on power cord.
- To protect against electric shock, do NOT immerse cord, plug or any other part of the dispenser in water or other liquid.

Safety

- Ensure dispenser is unplugged prior to cleaning.
- Never allow children to dispense hot water without proper and direct supervision.
Unplug unit to prevent unsupervised use by children.
- Service should be performed only by a certified technician.
- Warning: Do not damage the refrigerant circuit.
- This appliance can be used by children aged from 8 years and above if they have been given supervision or instruction concerning use of the appliance in a safe way and if they understand the hazards involved. Cleaning and user maintenance shall not be made by children unless they are older than 8 and supervised. Keep the appliance and its cord out of reach of children less than 8 years.
- Appliances can be used by persons with reduced physical, sensory or mental capabilities or lack of experience and knowledge if they have been given supervision or instruction concerning use of the appliance in a safe way and understand the hazards involved. Children shall not play with the appliance.
- This appliance is intended to be used in a household and similar applications such as: kitchen area in shops, offices and other working environments, bed and breakfast type environments, catering and similar non-retail applications.
- Do not store explosive substances such as aerosol cans with flammable propellant in this appliance.
- If the supply cord is damaged, it must be replaced by a special cord assembly available from the manufacturer or its service agent.
- Never turn the machine upside down or lean it more than 45°.
- Thermostat has been adjusted. There is no need to adjust it by yourself. When the matching is below the freezing point and blocked by ice, the cooling switch should be turned off for 4 hours before turning it on again to continue its operation.
- This machine should not be plugged back in until 3 minutes after it has been unplugged.